

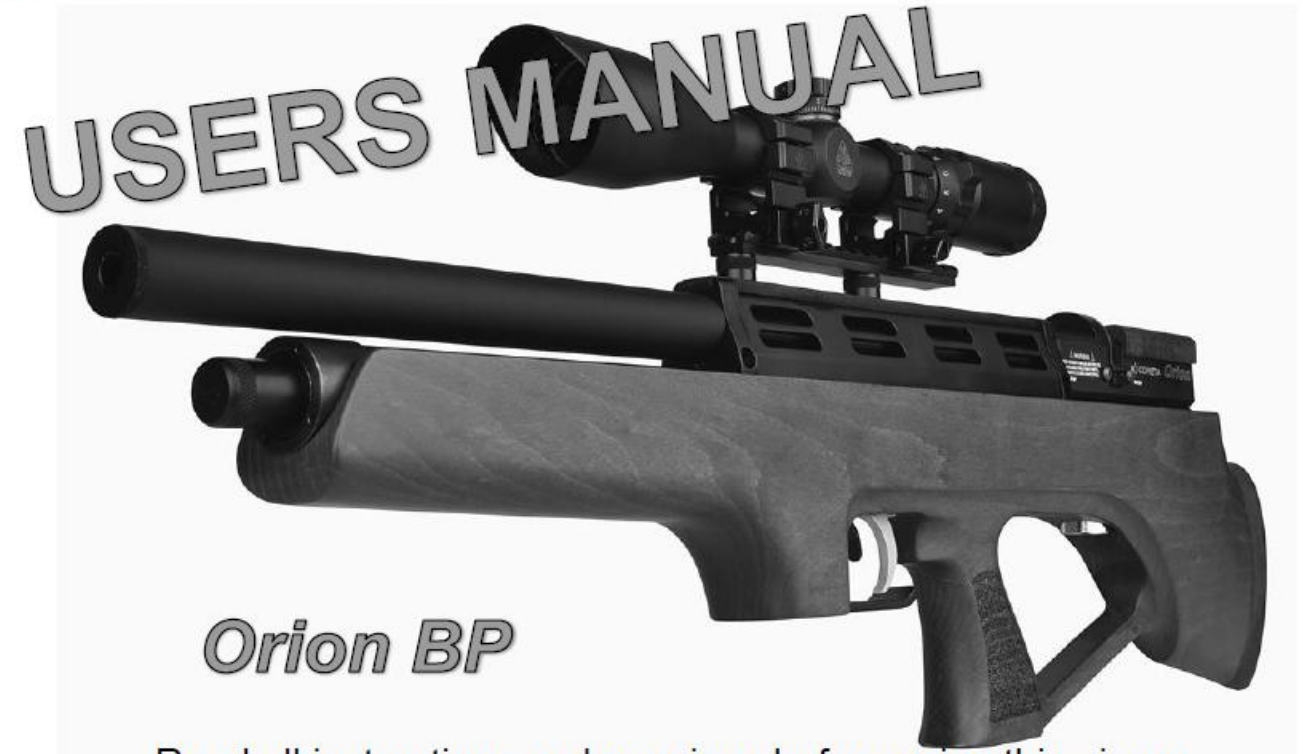
Fig. 1

When charging the rifle with air, a filling nozzle is inserted into the filling port  
To access the filling port, turn the protective ring around the axis of the tank, which in the normal position protects the filling port from dirt entering it.  
Make sure that the O-rings on the fill probe are not damaged. When the HP air is supplied, they "expand" and seal the filling port in the front plug of the rifle.  
The tank is designed for working pressure of 220 bar, therefore, fill the rifle with air without restriction (provided that the working pressure of your cylinder does not exceed 220 bar).



Fig. 2

The regulated version, has two manometers. The manometer located in the filling valve, indicated the total pressure of the tank (Fig. 1)  
The other manometer indicated the regulation pressure of the regulator (Fig. 2)



Read all instructions and warnings before using this airgun.

Carabinas Cometa, S.A. – C/Txonta, 26 – Apdo. (P.O. Box) 310 – 20600 EIBAR (Spain) – Tel: +34 943 120 116 – Fax: +34 943 120 316  
[www.cometaairgun.com](http://www.cometaairgun.com)

- Be sure to turn the whole bottle-regulator assembly counter-clockwise to remove it from the airgun.
- If the bottle-regulator assembly is not in the desired position when it is placed back on the airgun, adjustments can be made by loosening the regulator screws (Fig. 8 pos. 2) and the nut (Fig. 8 pos. 3). Important: Be sure that the nut (Fig. 8 pos. 3) tightened correctly.
- Once the bottle-regulator unit has been placed on the rifle, activate the ON-OFF valve (Fig. 3 pos. 1) by turning the valve Allen nut clockwise until it is tight.

## WARRANTY CARD

Name:  
Address:  
Post Code:  
Telephone:  
Serial Number:  
Date of purchase:

Dealer Stamp:

Cometa Lynx PCP rifles carry a 2 year warranty. It covers faulty parts and labor. Applying to new rifles only and is not transferable; proof of purchase is required. Excluded from this warranty are: failure due to misuse or abuse, the fitting of non-standard parts, and fair wear and tear including damage to the stock. All warranty works must be done by Cometa or an authorized agent, and should the rifle be collected or returned under warranty, Cometa or their authorized agent reserve the right to charge for postage and / or inspection.

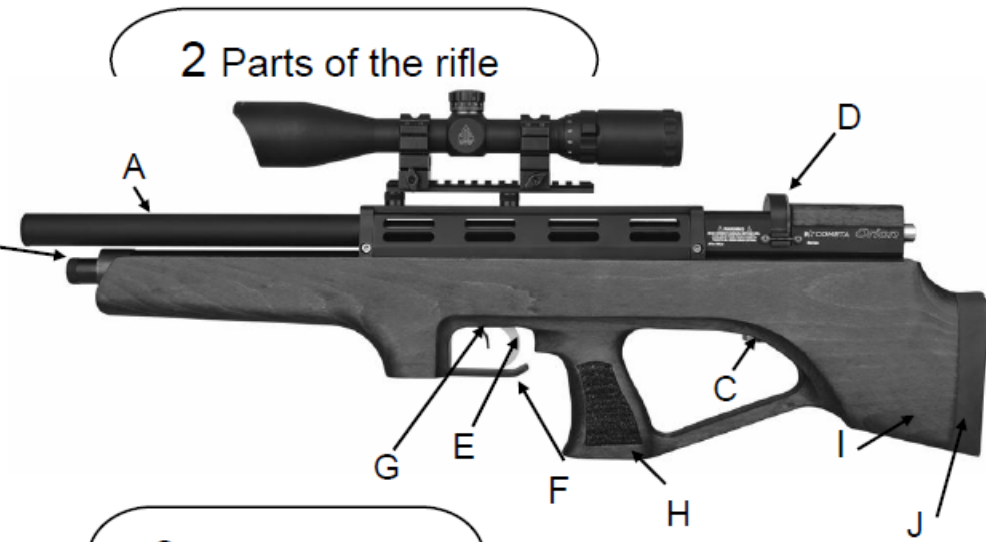
## 1 Safety Warning

### ⚠ WARNING

- Not a toy, this gun can cause serious injury or death.
- The airgun should be used only by adults. It is not recommended for persons under 16 years.
- Always wear eye and ear protection when using this airgun. This includes everyone in the area where place.
- Always point the air rifle in a safe direction controlling what is behind. Do not point at anything you do not intend to shoot even though the rifle is unloaded.
- Do not fire at a target that allows ricochets or deflections. Do not fire into or at water.
- Never leave the airgun loaded if it is not going to be used.
- Be certain that each pellet you use is in the proper caliber for the airgun. Never re-use pellets.
- Save the airgun and ammunition in safe places, out of reach of children. At the same time make sure the gun is unloaded.
- Do not walk, jump or run when carrying a loaded air rifle. Keep your fingers away from the trigger and Do not load the air rifle until you are ready to fire. Unload the airgun before putting it in a vehicle.
- Do not remove or show the carbine air in public. Mistaken for a firearm.
- Buyer and user have the duty to obey all laws about the use and ownership of this airgun.
- Anytime you handle an airgun, make sure the safety is on and the gun is unloaded. Under no circumstances handle a rifle when loaded.
- Do not fill the air cylinder above 200 BAR / 3000 PSI. The resulting damage caused by overcharging the bottle is not covered by the manufacturer's warranty.
- Only use dry-filtered, compressed air to fill the air cylinder. Never use other gases such as oxygen, carbon dioxide, acetylene, hydrogen, argon, etc.
- Because of the high pressure cylinder, Cometa recommend to inspect visually the air cylinder every 3 years and pressure tested every 10 years.

## 2 Parts of the rifle

- A.- Barrel
- B.- Air cylinder
- C.- Gauge
- D.- Multishot Magazine
- E.- Trigger
- F.- Trigger guard
- G.- Safety
- H.- Pistol grip
- I.- Stock
- J.- Rubber pad



## 3 Maintenance



Fig. 1

- Before make any maintenance on the rifle, make sure it is unloaded of ammunition and all air has been emptied.
- Periodically check the tightness of all screws, bolts, etc.
- Lubricate all moving parts and external metal parts of the rifle.

NOTE: It is very important to lubricate the cocking lever and bolt (see fig.1). Should it be necessary to change any o-rings, **lubricate only silicone grease.**

- Periodically clean the barrel with a non-metallic cleaning rod.
- For prolonged storage, lubricate the exterior metal parts with a quality gun oil.
- Do not leave the quick-fill port exposed. Use the attached protective cap to keep the port covered.
- Prevent dangerous situations by keeping your airgun clean and in proper working condition.
- Never store your airgun loaded.

3

## 4 Operating Instructions

- Read this manual entirely before first handling your airgun.
- Do not try to disassemble this airgun since special Cometa tools and parts are required for repairing. If you disassemble the rifle, maybe you are not be able to be reassembled correctly.
- Cometa does not assume the warranty in those instances where repair or parts replacements are not performed by an authorized repair center.

### COCKING

- Before loading your airgun, make sure the safety is activated (Fig. 2).
- To load your airgun, pull the cocking lever out and to the rear (Fig. 3, position 1). **Be sure that the lever is always in the rear position.**
- Take out the magazine to load (Fig. 3, position 2). Insert pellets (Fig. 10 page 5)
- Introduce the magazine in the position again.
- Close the cocking lever.
- The airgun is ready to be fired.

Fig. 2

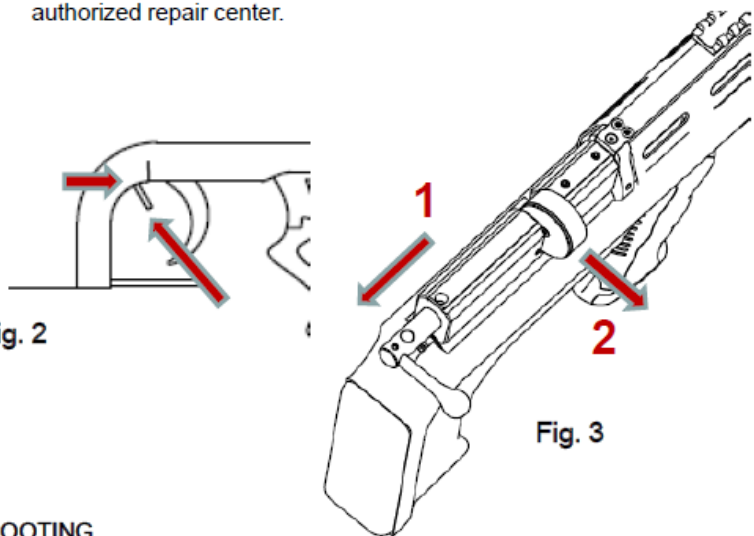


Fig. 3

### SHOOTING

- Before taking a shot, make sure the airgun is pointed in a safe direction.
- Push the safety button in (Fig. 2). The rifle is ready to fire

**Note: Do not fire the airgun while the cocking lever is open.**

4

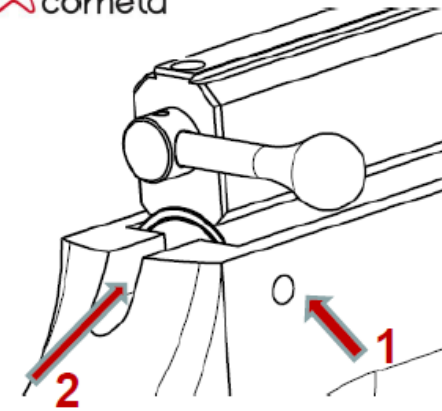
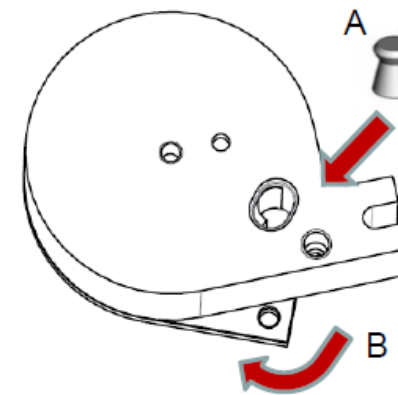


Fig. 5

### POWER REGULATION

- All models are equipped with a power regulator. The power levels are determined by the laws of each country.
- Before making any adjustments, make sure the airgun is unloaded.
- Power regulation screw is fixed by a screw. (Fig. 5, position 1) Firstly loose this screw (using Allen key 2mm) and then turn the power regulation screw (Fig. 5, position 2 using Allen key 3mm) clockwise to increase the power or counter-clockwise to decrease the power.
- If it is not possible to cock the airgun lever, turn the adjustment screw counter-clockwise until you are able to do.
- In Orion non regulated version, can de-regulate the gun and generate bigger speed dispersion.

### MULTI SHOT MAGAZINE



### CHARGE OF PELLETS

- Insert the pellet through slot A with the head of the pellet upwards.
- Turn the cover lid in the direction B after introduce each pellet.
- After introduce all pellets, take the cover to the original position.

NOTE: The multishot magazine is not allowed to use with open sight is necessary to use optic with high ring approx. 21mm

Fig. 10

5



Fig. 8

### FILLING THE AIR CYLINDER

- First, we must seal perfectly all threads involved in the loading assembly. Use very high pressures and need to use a thread sealant as Teflon, etc. (Fig. 8)
- Do not charge the bottle above 200 bar / 3000 PSI. The resulting damage by overcharging the bottle is not covered by the manufacturer's warranty.
- Only use dry-filtered, compressed air to fill the air cylinder. Never use other gases such as oxygen, carbon dioxide, acetylene, hydrogen, argon, etc.
- Ensure the safety is on at all times.
- Remove the quick-fill protective cover and attach a pump hose to the fill port (Fig. 9).
- The airgun can now be filled with air from either a pump or high-pressure air tank. When the cylinder is completely empty is necessary to cock the airgun before to charge. Slowly fill the air in the bottle to the its 200 bar / 3000 PSI operating pressure. Before disconnecting the pump, purge the air that accumulated in the pump hose. Replace the quick-fill protective cover back on the fill port.

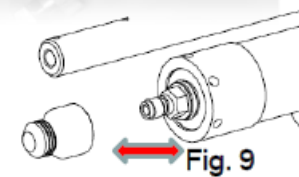


Fig. 9

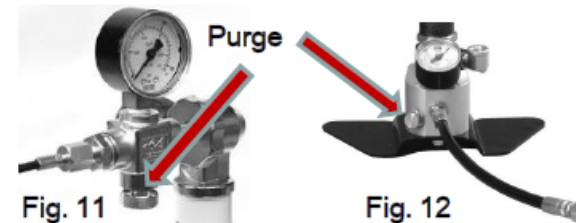


Fig. 11

Fig. 12



Fig. 13

6